

# Accu-Loc®

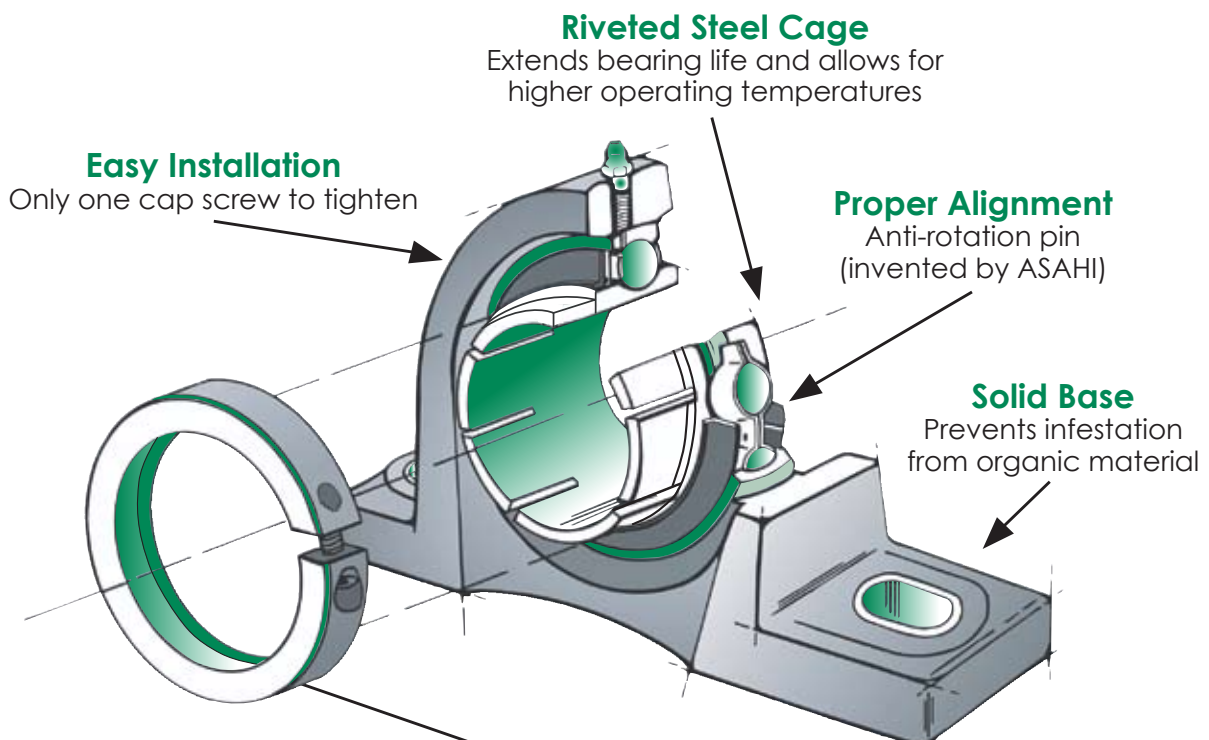


PH: (800) 882-8642 • FAX: (847) 759-0630  
www.amibearings.com

## AMI Features

- Inch & Metric Available
- Available in any standard duty housing style
- Bore Sizes (3/4"-2-7/16" and 20mm-60mm)
- Direct Interchangeability
- Drop in replacement for SealMaster (Skwezloc®)
- Cylindrical OD - SUE200
- Spherical OD - UE200

**Kanigen (M20), Non-Electrolytic Nickel Chromium is also available, for more information call (800) 882-8642**



**Tapered Clamp Collar & Centerline Locking Device**  
Provides uniform grip of the inner race to the shaft at the leading edge of the locking collar, resulting in lower noise and vibration at higher speeds.

Interchange by Manufacturer			
Bore	AMI	MB	SealMaster
1 (in.)	SUE 205-16	ER-16TC	ER-16K
25 (mm)	UE 205-16	KMB-45-1	2-1TC

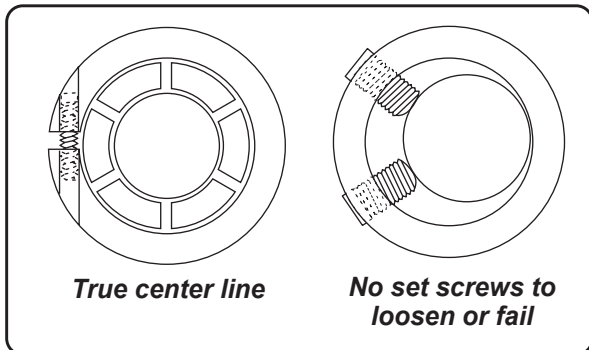
# Accu-Loc®



PH: (800) 882-8642 • FAX: (847) 759-0630  
www.amibearings.com

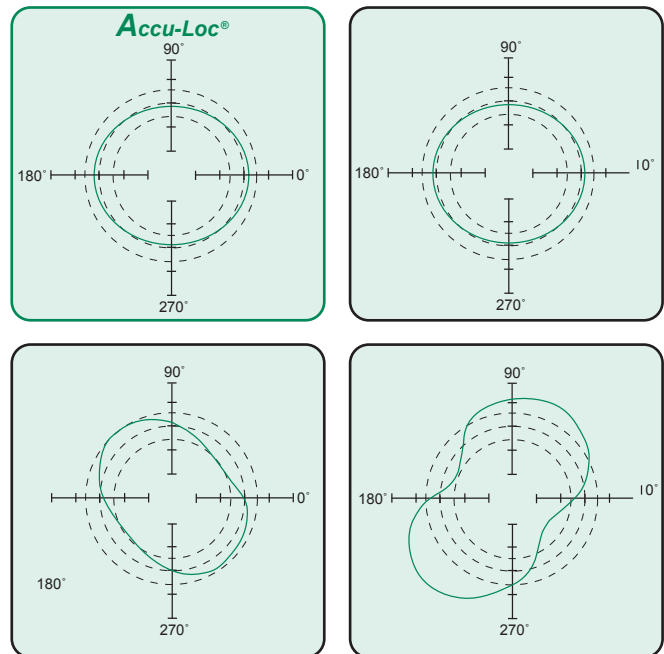
## Features

- True shaft centering
- Buna-N seals
- Eliminates vibration (noise reduction)
- No ovality transmitted to the inner raceway
- Does not mar or damage shafting
- Installs in seconds/Single Cap Screw
- Precision Honed Races
- Anti-Rotation Pin (NO Drop Pin!)
- 52100 Chromium Bearing Steel
- Black Oxide Finish - Standard



*For quieter, smoother, more efficient running bearings under higher radial loads and a true center line.*

## Compare **Accu-Loc®** versus Set-Screws!



**Tests show the Accu-Loc® maintains roundness and near perfect concentricity when compared to setscrew methods.**