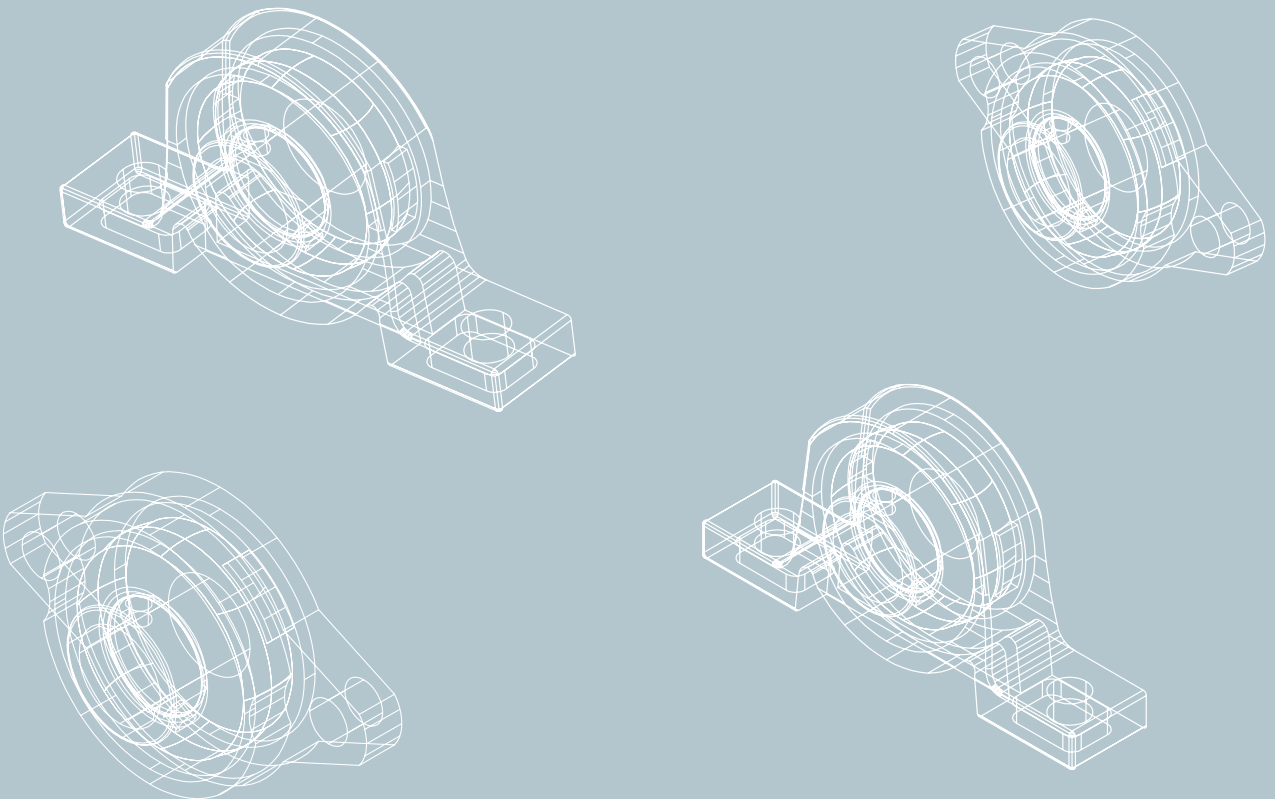
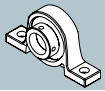


AMI

Silver Series

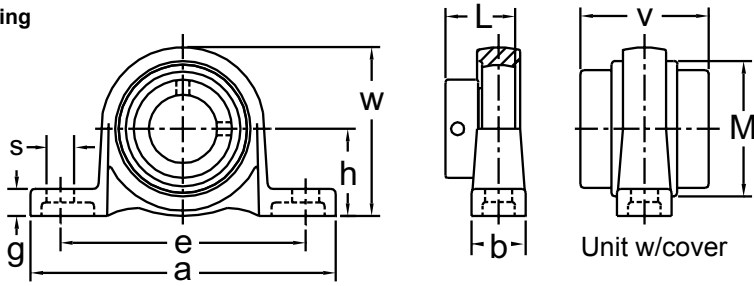




SILVER SERIES PILLOW BLOCKS W/COVERS

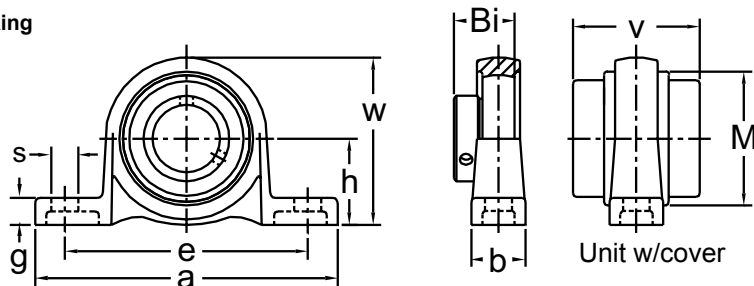
UP / KP / MUP 000

Eccentric Locking
Extra Narrow Inner Ring
ZDC Alloy Housing
52100 Bearing Steel
Non-Relube
Insert detail-pg.127
Metric



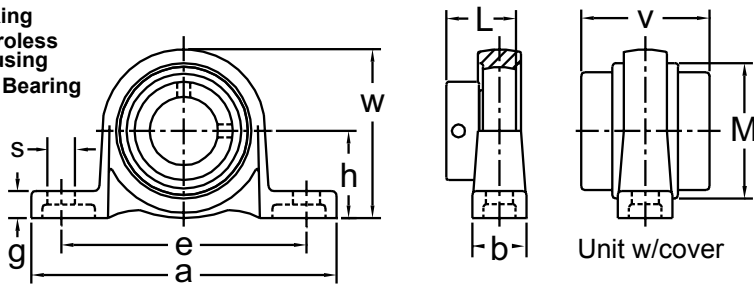
Shaft Diam. (mm)	AMI Unit #	List Price		Dimensions (mm)										Bolt Size (mm)	Bearing #	Housing #	Weight (lb.)
		No Cover	With Cover C (CE)	h	a	e	b	s	g	w	L	v	M				
10	UP000	41.50	45.65	18	67	53	16	7	6	35	17.5	33	29	M6	U000	P000	0.17
12	UP001	42.50	46.65	19	71	56	16	7	6	38	17.5	33	31		U001	P001	0.20
15	UP002	45.30	49.45	22	80	63	16	7	7	43	18.5	34	35		U002	P002	0.28
17	UP003	48.80	53.05	24	85	67	18	7	7	47	20.5	38	38	M6	U003	P003	0.35
20	UP004	51.80	56.05	28	100	80	20	10	9	55	24.5	46	45	M8	U004	P04-5	0.52
25	UP005	59.40	63.65	32	112	90	20	10	10	62	25.5	47	50	M8	U005	P05-6	0.66
30	UP006	72.20	78.20	36	132	106	26	13	11	70	26.5	50	58	M10	U006	P06-7	1.01

Set-Screw Locking
Extra Narrow Inner Ring
ZDC Alloy Housing
52100 Bearing Steel
Non-Relube
Insert detail-pg.127
Metric

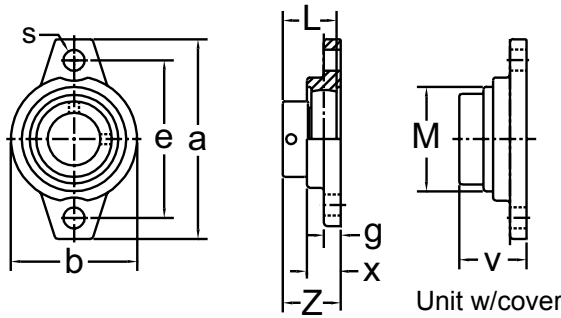


Shaft Diam. (mm)	AMI Unit #	List Price		Dimensions (mm)										Bolt Size (mm)	Bearing #	Housing #	Weight (lb.)
		No Cover	With Cover C (CE)	h	a	e	b	s	g	w	Bi	v	M				
10	KP000	41.50	45.65	18	67	53	16	7	6	35	14	33	29	M6	K000	P000	0.17
12	KP001	45.30	49.45	19	71	56	16	7	6	38	14.5	33	31		K001	P001	0.20
15	KP002	48.60	52.75	22	80	63	16	7	7	43	16.5	34	35		K002	P002	0.28
17	KP003	52.95	57.25	24	85	67	18	7	7	47	17.5	38	38	M6	K003	P003	0.35
20	KP004	60.60	64.75	28	100	80	20	10	9	55	21	46	45	M8	K004	P04-5	0.52
25	KP005	69.80	74.00	32	112	90	20	10	10	62	22.5	47	50	M8	K005	P05-6	0.66
30	KP006	83.00	89.00	36	132	106	26	13	11	70	24.5	50	58	M10	K006	P06-7	1.01

Eccentric Locking
Extra Narrow Inner Ring
ZDC Alloy with Electroless Chromate Finish Housing
440C Stainless Steel Bearing
Non-Relube
Insert detail-pg.127
Metric

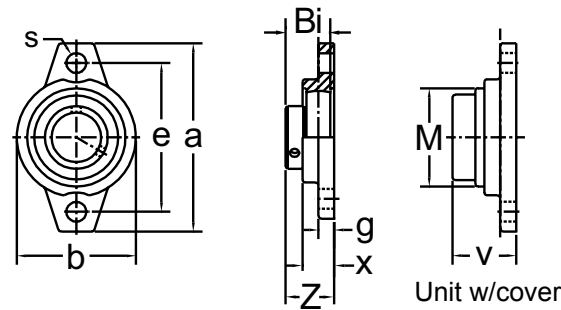


Shaft Diam. (mm)	AMI Unit #	List Price		Dimensions (mm)										Bolt Size (mm)	Bearing #	Housing #	Weight (lb.)
		No Cover	With Cover C (CE)	h	a	e	b	s	g	w	L	v	M				
10	MUP000	98.75	102.30	18	67	53	16	7	6	35	17.5	33	29	M6	MU000	P000Z3	0.17
12	MUP001	103.60	106.90	19	71	56	16	7	6	38	17.5	33	31		MU001	P001Z3	0.20
15	MUP002	105.25	109.40	22	80	63	16	7	7	43	18.5	34	35		MU002	P002Z3	0.28
17	MUP003	120.70	125.10	24	85	67	18	7	7	47	20.5	38	38	M6	MU003	P003Z3	0.35
20	MUP004	131.80	135.30	28	100	80	20	10	9	55	24.5	46	45	M8	MU004	P04-5Z3	0.52
25	MUP005	147.75	151.50	32	112	90	20	10	10	62	25.5	47	50	M8	MU005	P05-6Z3	0.66
30	MUP006	194.60	200.70	36	132	106	26	13	11	70	26.5	50	58	M10	MU006	P06-7Z3	1.01



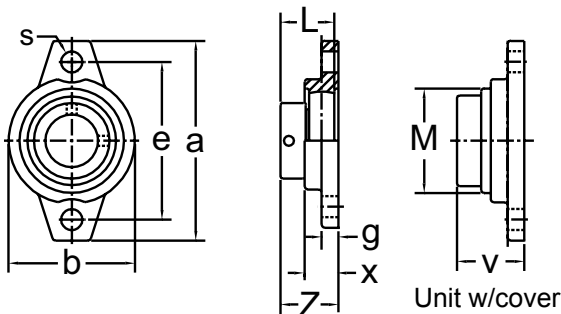
Eccentric Locking
Extra Narrow Inner Ring
ZDC Alloy Housing
52100 Bearing Steel
Non-Relube
Insert detail-pg.127
Metric

Shaft Diam. (mm)	AMI Unit #	List Price		Dimensions (mm)										Bolt Size (mm)	Bearing #	Housing #	Weight (lb.)
		Open Cover	With Cover C (CE)	a	e	g	x	s	b	Z	L	v	M				
10	UFL000	41.50	45.65	60	45	5.5	11.5	7	36	19	17.5	22	29	M6	U000	FL000	0.14
12	UFL001	42.50	46.65	63	48	5.5	11.5	7	38	19	17.5	22	31		U001	FL001	0.17
15	UFL002	45.30	49.45	67	53	6.5	13	7	42	20.5	18.5	24	35		U002	FL002	0.22
17	UFL003	48.80	53.05	71	56	7	14	7	46	22.5	20.5	26	38	M6	U003	FL003	0.29
20	UFL004	51.80	56.05	90	71	8	16	10	55	26.5	24.5	31	45	M8	U004	FL04-5	0.46
25	UFL005	59.40	63.65	95	75	8	16	10	60	27.5	25.5	32	50	M8	U005	FL05-6	0.54
30	UFL006	72.20	78.20	112	85	9	18	13	70	29	26.5	34	58	M10	U006	FL06-7	0.79
35	UFL007	83.85	90.10	122	95	10	20	13	80	32.5	29.5	-	-		U007	FL07-8	1.10



Set-Screw Locking
Extra Narrow Inner Ring
ZDC Alloy Housing
52100 Bearing Steel
Non-Relube
Insert detail-pg.127
Metric

Shaft Diam. (mm)	AMI Unit #	List Price		Dimensions (mm)										Bolt Size (mm)	Bearing #	Housing #	Weight (lb.)
		No Cover	With Cover C (CE)	a	e	g	x	s	b	Z	Bi	v	M				
10	KFL000	41.50	45.65	60	45	5.5	11.5	7	36	15.5	14	22	29	M6	K000	FL000	0.14
12	KFL001	45.30	49.45	63	48	5.5	11.5	7	38	16	14.5	22	31		K001	FL001	0.17
15	KFL002	48.60	52.75	67	53	6.5	13	7	42	18.6	16.5	24	35		K002	FL002	0.22
17	KFL003	52.95	57.25	71	56	7	14	7	46	19.5	17.5	26	38	M6	K003	FL003	0.29
20	KFL004	60.60	64.75	90	71	8	16	10	55	23	21	31	45	M8	K004	FL04-5	0.46
25	KFL005	69.80	74.00	95	75	8	16	10	60	24.5	22.5	32	50	M8	K005	FL05-6	0.54
30	KFL006	83.00	89.00	112	85	9	18	13	70	27	24.5	34	58	M10	K006	FL06-7	0.79



Eccentric Locking
Extra Narrow Inner Ring
ZDC Alloy with Electroless Chromate Finish Housing
440C Stainless Steel Bearing
Non-Relube
Insert detail-pg.127
Metric

Shaft Diam. (mm)	AMI Unit #	List Price		Dimensions (mm)										Bolt Size (mm)	Bearing #	Housing #	Weight (lb.)
		No Cover	With Cover C (CE)	a	e	g	x	s	b	Z	L	v	M				
10	MUFL000	98.75	102.30	60	45	5.5	11.5	7	36	19	17.5	22	29	M6	MU000	FL000Z3	0.14
12	MUFL001	103.60	106.90	63	48	5.5	11.5	7	38	19	17.5	22	31		MU001	FL001Z3	0.17
15	MUFL002	105.25	109.40	67	53	6.5	13	7	42	20.5	18.5	24	35		MU002	FL002Z3	0.22
17	MUFL003	120.70	125.10	71	56	7	14	7	46	22.5	20.5	26	38	M6	MU003	FL003Z3	0.29
20	MUFL004	131.80	135.30	90	71	8	16	10	55	26.5	24.5	31	45	M8	MU004	FL04-5Z3	0.46
25	MUFL005	147.75	151.50	95	75	8	16	10	60	27.5	25.5	32	50	M8	MU005	FL05-6Z3	0.54
30	MUFL006	194.60	200.70	112	85	9	18	13	70	29	26.5	34	58	M10	MU006	FL06-7Z3	0.79

SILVER SERIES